

EVBox Elvi **fixed cable**

Installation and user manual
Part B

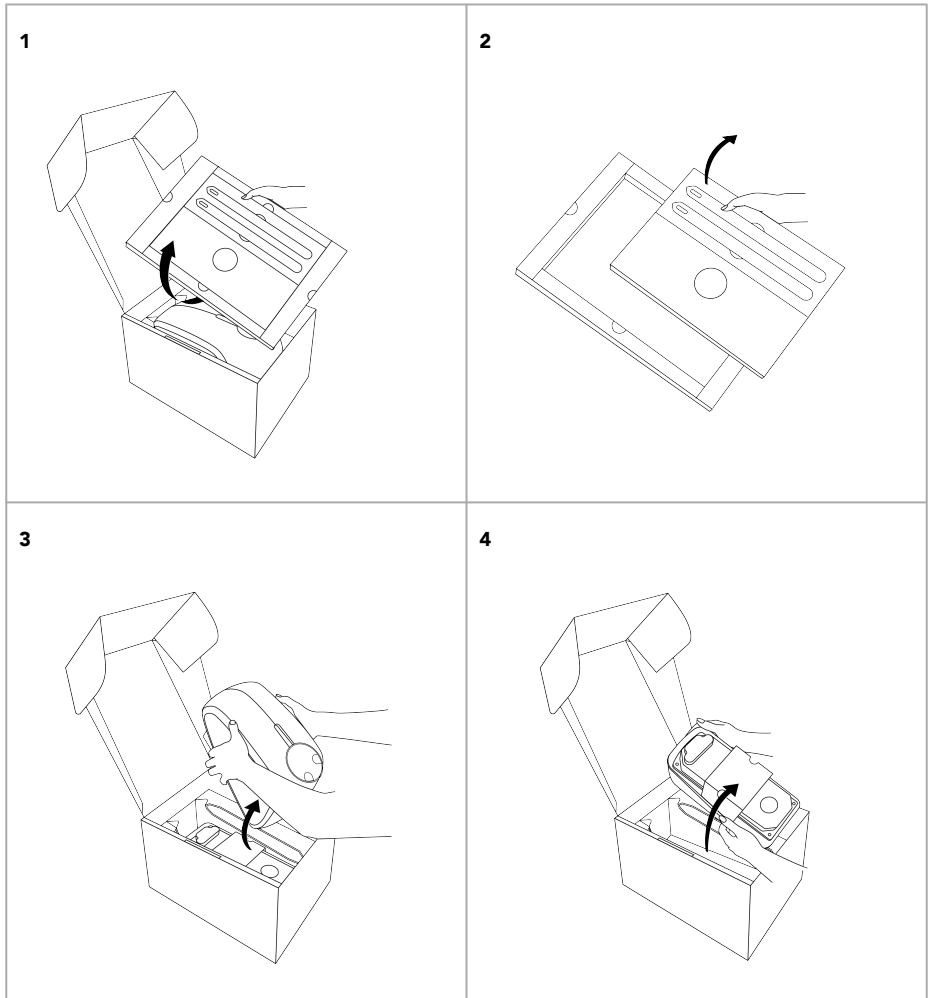
EVBox Elvi fixed cable

Installation and user manual
Part B

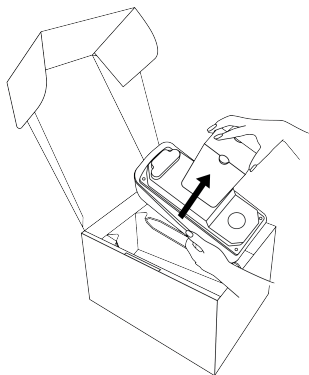
Contents

1. Unpacking	3
2. Install the wall dock	5
3. Install the charging cable	11
4. Install the station	12
5. Remove the station	13
6. Replace the charging cable	14

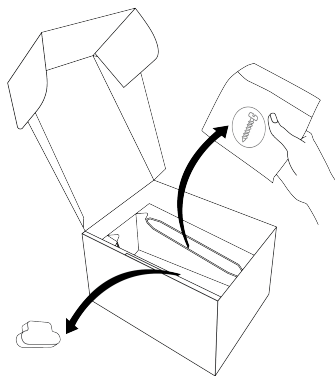
1. Unpacking



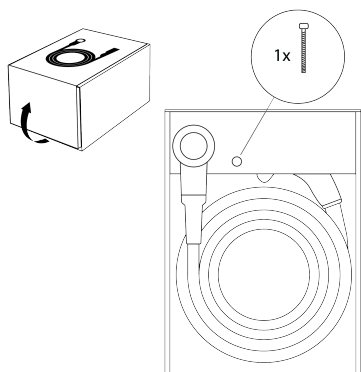
5



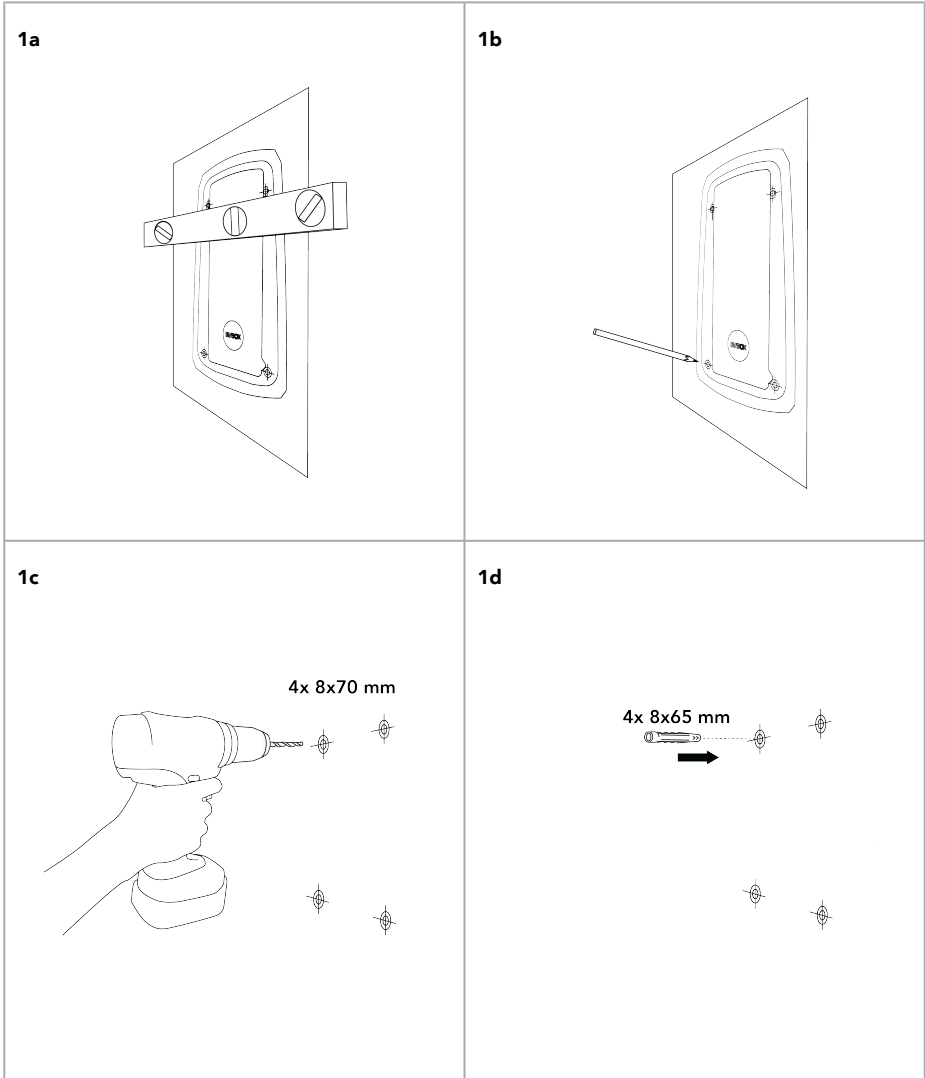
6



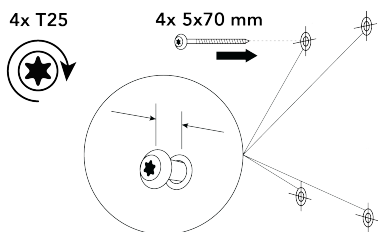
7



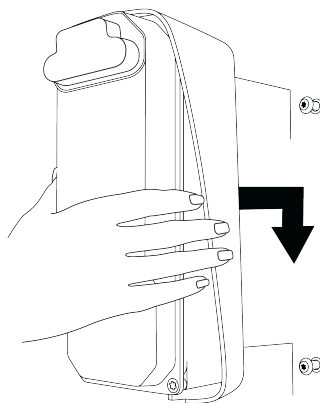
2. Install the wall dock



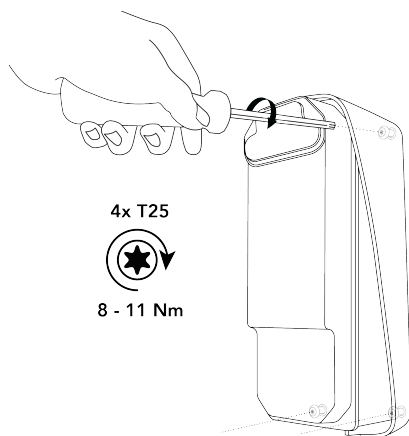
1e



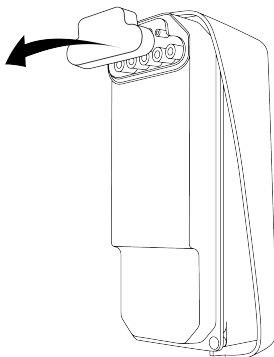
2a

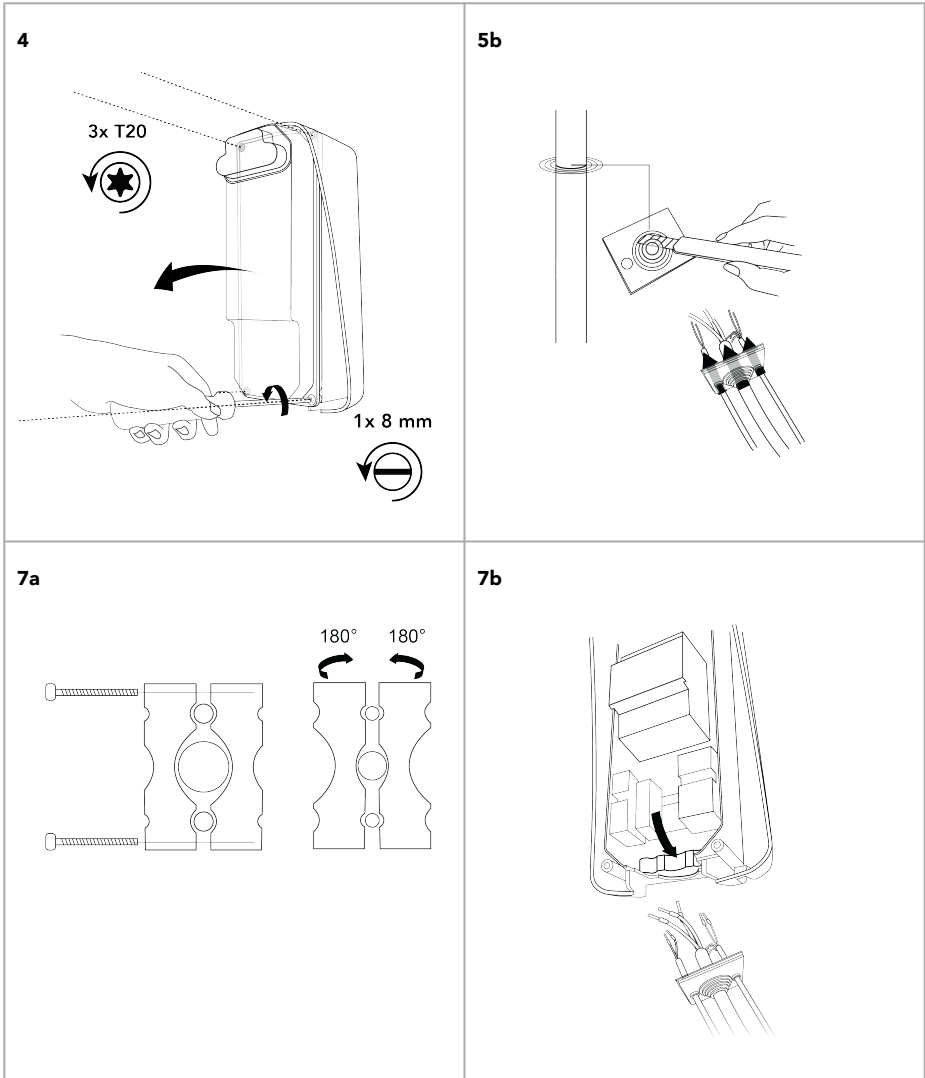


2b

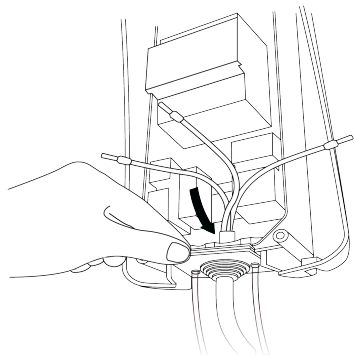


3

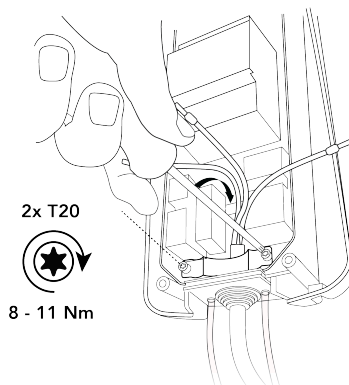




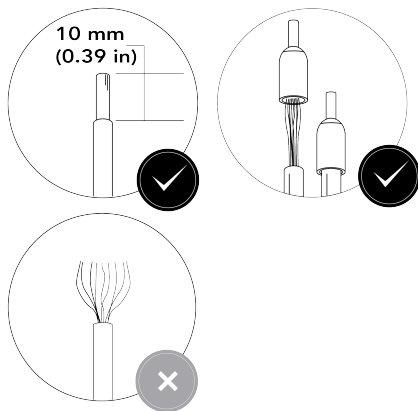
7c



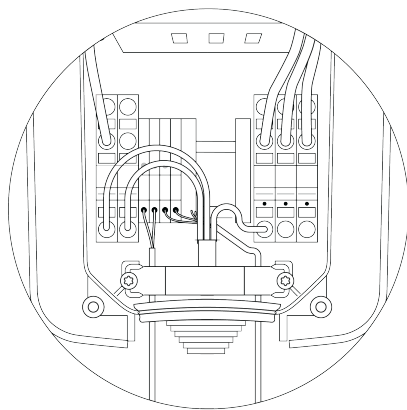
7d



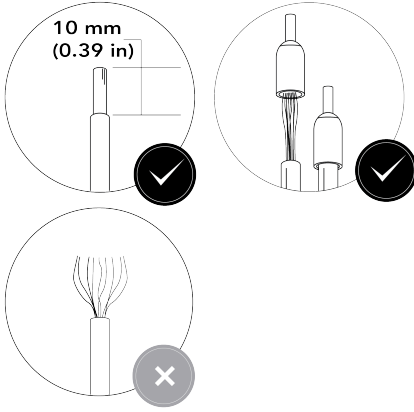
8a



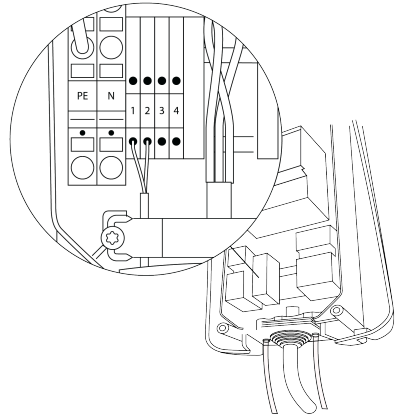
8b



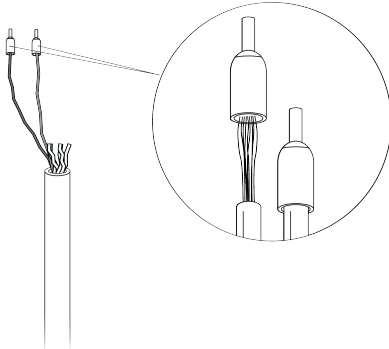
9a



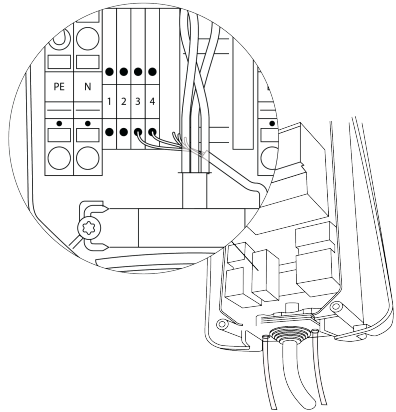
9b



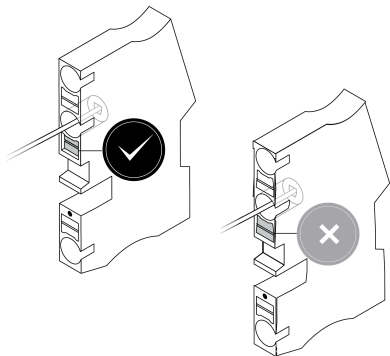
10a



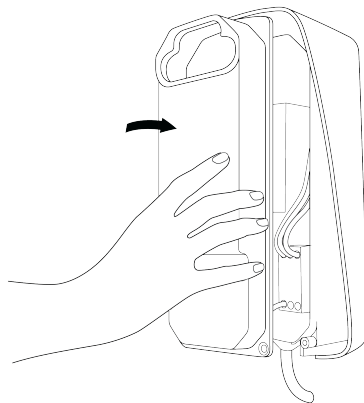
10b



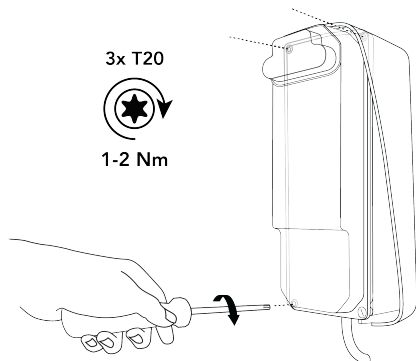
11



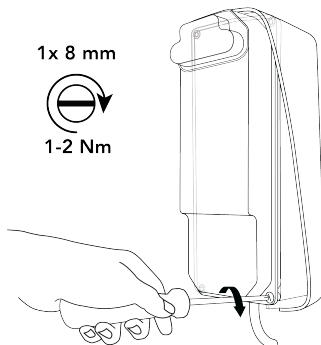
12b



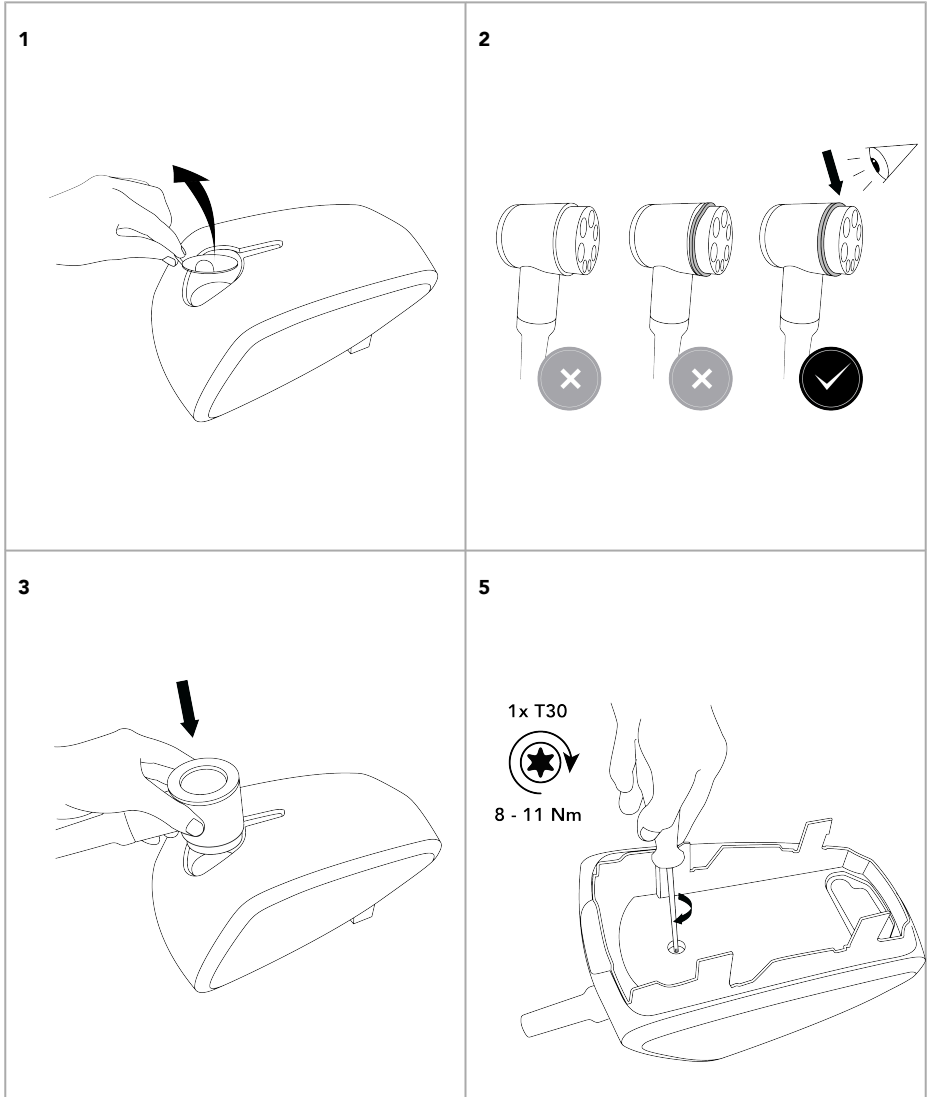
12c



12d



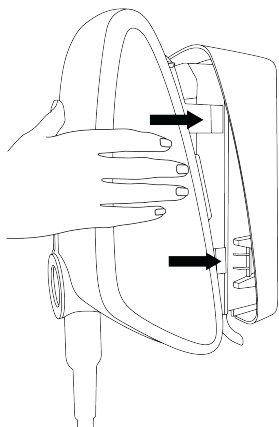
3. Install the charging cable



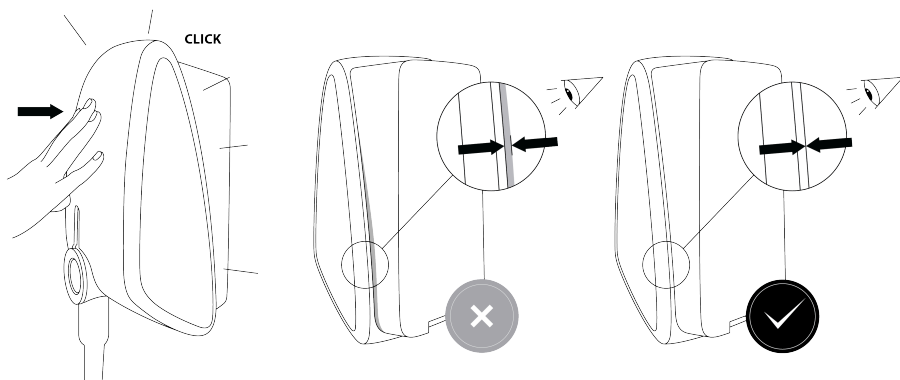
4. Install the station



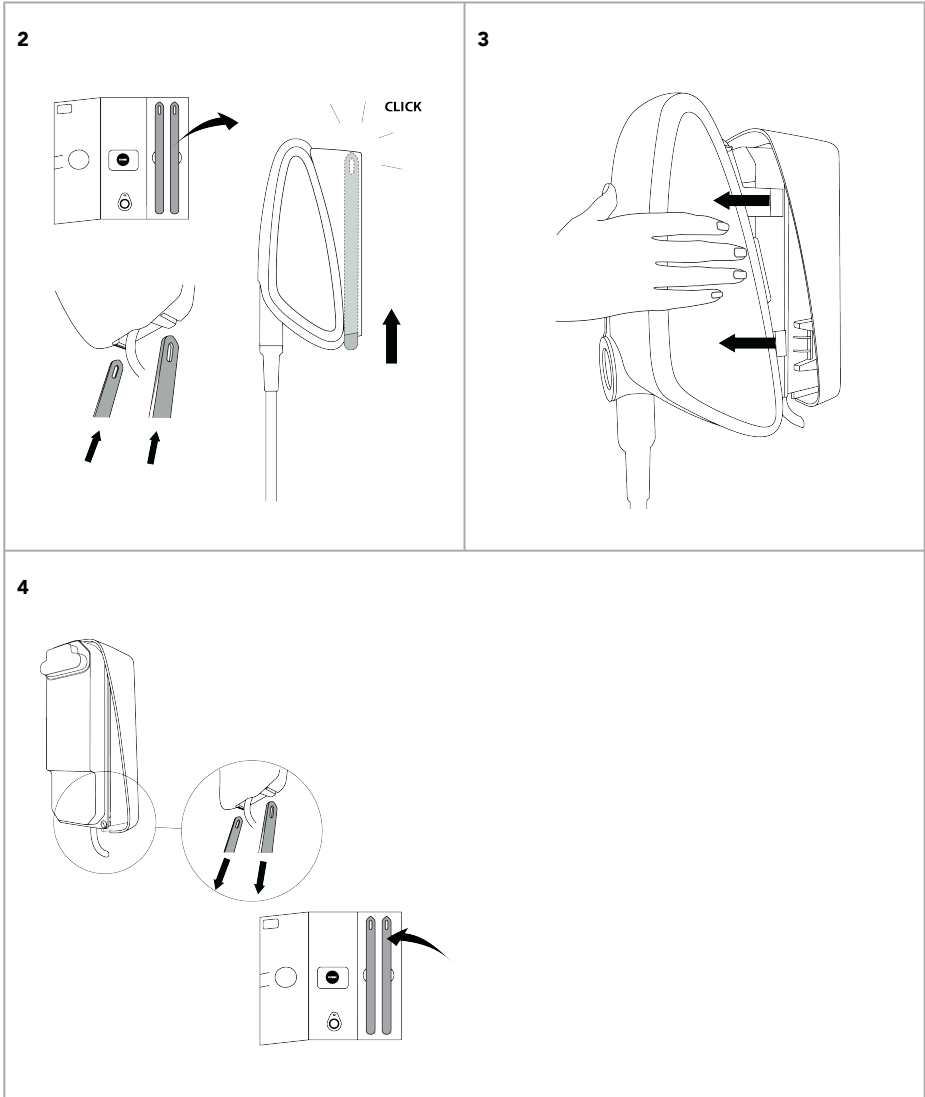
1



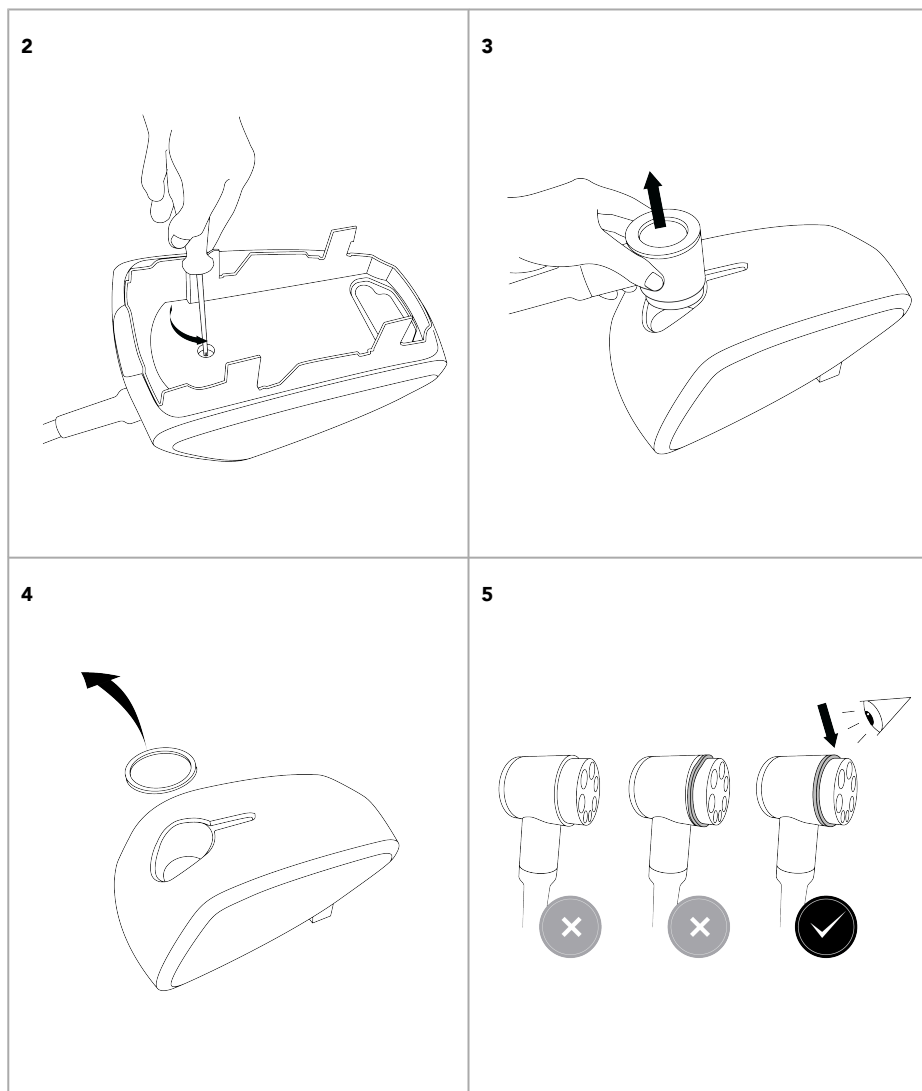
2



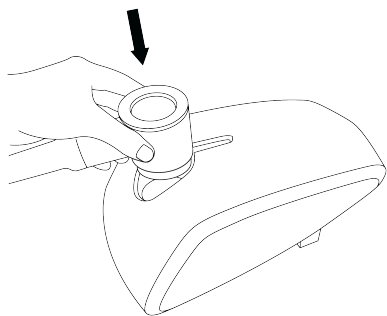
5. Remove the station



6. Replace the charging cable



6



8

